

FreeWheel[®]

Wheelchair Attachment



Set-Up Guide and Registration

- Pages 1-4: Steps to Set-Up your FreeWheel
- Page 5: Clamp Plate Footrests and TiLite™ Angle-Adjustable Footrest Modifications
- Page 6: Storage “Perch” Set-Up Guide
- Page 7: How to Adjust the Steering Mechanism
- Page 5: How to Remove Wheel for Tire/Tube Change
- Page 9: How to Maintain your FreeWheel
- Back: FreeWheel Warranty and Registration



FreeWheel Wheelchair Attachment



On Instagram: GO_FREEWHEEL



On Twitter: GoFreeWheel

How To Set-Up Your FreeWheel

This Set-Up Guide provides step-by-step directions to setting up your FreeWheel to fit your wheelchair. (Note: start on page 5 if you have a clamp plate footrest or a TiLite Angle Adjustable footrest.)

1. Determine whether you need a cup shim? (page 1)
2. Does it need a straight shim and if yes, what thickness? (page 2)
3. Adjusting the angle based on how high your footrest is from the floor and whether it is angled. This adjustment is to make sure the FreeWheel properly lifts the front casters off the ground. (page 3)
4. Should you use a short or long rear end? (page 4)

Once your FreeWheel is set up, it is important to MAINTAIN it so it provides you with years of enjoyment. (page 9)

Don't forget to Order your FreeWheel RACK!

The FreeWheel with a RACK greatly increases your freedom and independence.

The RACK quickly attaches to your chair and allows you to carry up to 25 lbs. of gear.

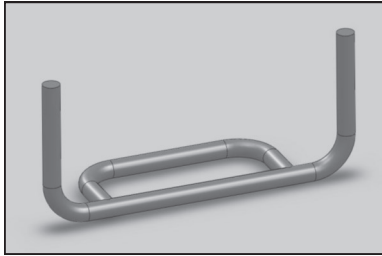


STEP 1: Cup Shim

(FreeWheel comes with cup shim installed.)

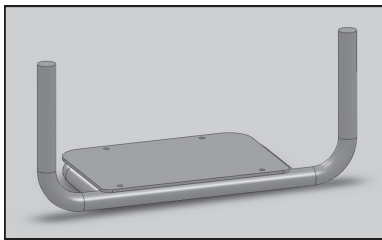
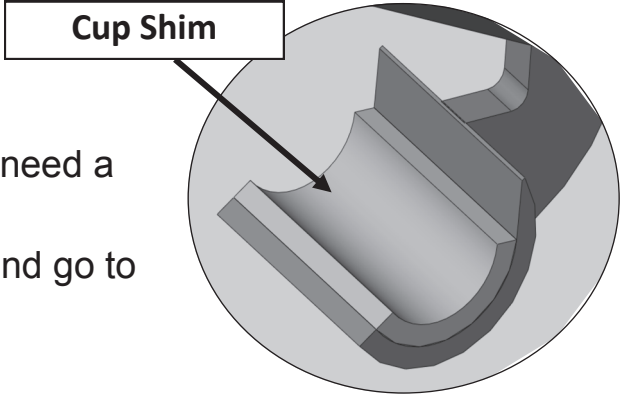
Check which footrest type you have and decide whether or not it needs a cup shim.

FOOTREST TYPES



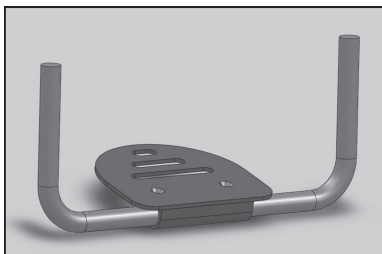
2 TUBE

2 Tube: YES, you need a cup shim.
Make no change and go to STEP 2 (page 2).



2 TUBE with PLATE

2 Tube with Plate: YES, you need a cup shim.
Make no changes and go to STEP 2 (page 2).



CLAMP PLATE

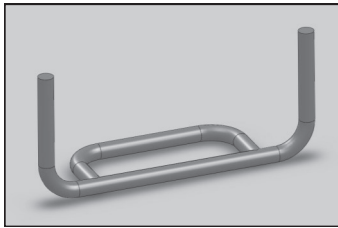
Clamp Plate: NO, you do not need a cup shim.
REMOVE CUP SHIM using small phillips-head screw driver to remove screws and GENTLY pry plastic cup shim out. Go to STEP 2 (page 2).



STEP 2: Which Straight Shim?

Your footrest type determines if you need a straight shim and if you do, which straight shim to use.

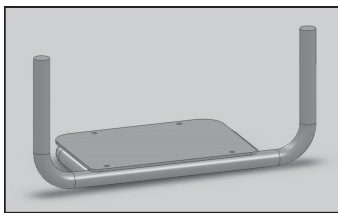
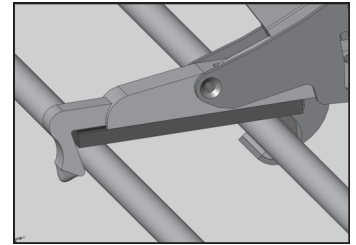
Footrest Types



2 TUBE

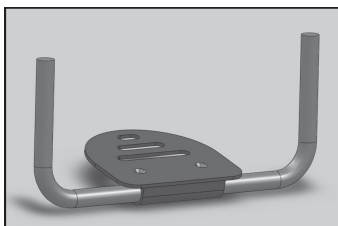
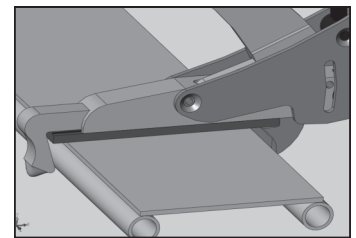
2 Tube: Thick Straight Shim

Shim Types



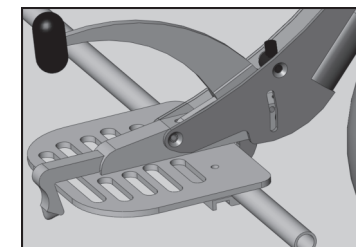
2 TUBE with PLATE

2 Tube with Plate:
Thinnest Straight Shim or
Medium Straight Shim
(depending on thickness of
footrest plate).



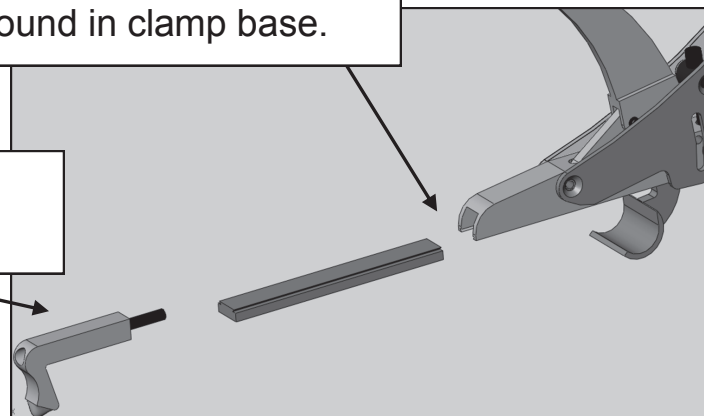
CLAMP PLATE

Clamp Plate:
NO Straight Shim



Insert straight shim into dove-tail
feature found in clamp base.

Rear end should be removed.



STEP 3: Angle Adjustment to Lift Front Casters

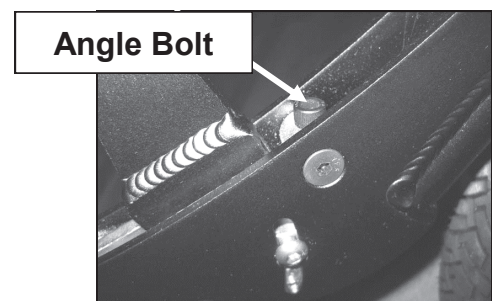
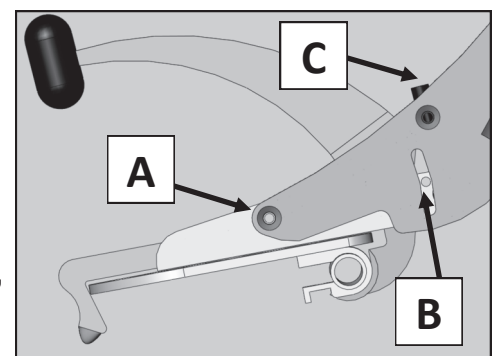
This adjustment makes sure the FreeWheel properly lifts the front casters. The adjustment is based on the height of your wheelchair's footrest from the ground (heights over 4-3/4" require a custom frame FreeWheel). Make sure you have completed the Set-up Guide STEPS 1 and 2, BEFORE you complete this step.



1. Find a flat/level floor. While holding the handle, arrange the FreeWheel in the "tail dragger" position (shown above).
2. Move your feet apart. The clamp requires 3/4" of space between your feet.
3. Lower the clamp over your footrest, setting it down with clamp cup just in front of the footrest tube.
4. Lock down by putting pressure on the handle. The locking action should feel very solid and secure.

The FreeWheel tire should be touching the ground. If it is NOT touching the ground, you will need to adjust the Angle Bolt.

1. Loosen bolts A, B and C, both sides, using 5/32" or 4mm Allen wrench. Do NOT REMOVE, just loosen.
2. Tighten Angle Bolt if wheel is off the ground. Loosen the Angle Bolt if the tire is too low. (3/16" or 5mm Allen wrench).
3. Re-tighten BOTH SIDES of bolts A, B and C.

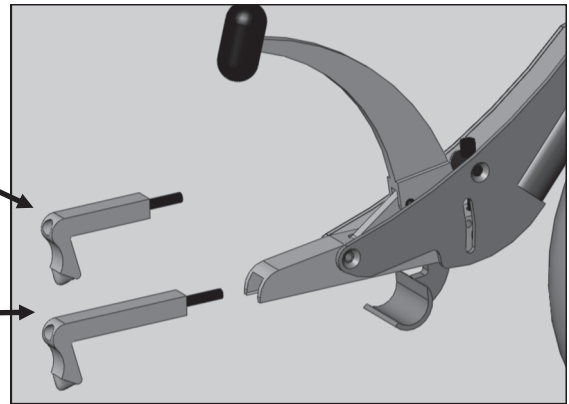


STEP 4: Which Rear End? (ALL footrest types need a rear end.)

1. Measure from the front tube/plate to the back of the footrest to determine depth.
2. With a SHORT Rear End use a hack saw to cut your straight shim the same length as the footrest depth (footrest depths 5" to 4"). With footrest depths under 4", please contact us at: info@gofreewheel.com

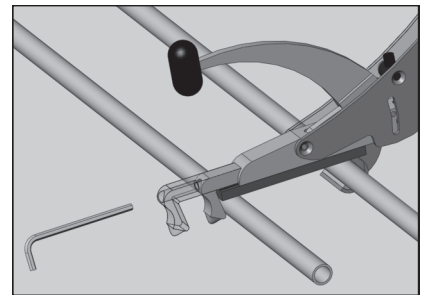
Footrest Depths from 4 to 5 inches:
Use SHORT Rear End

Footrest Depths from 5 to 6-3/8 inches:
Use LONG Rear End



WARNING: Clamping the FreeWheel to your footrest with the Rear End set too short (overly tightened) can damage the Rear End. **Carefully follow Steps 3-5.**

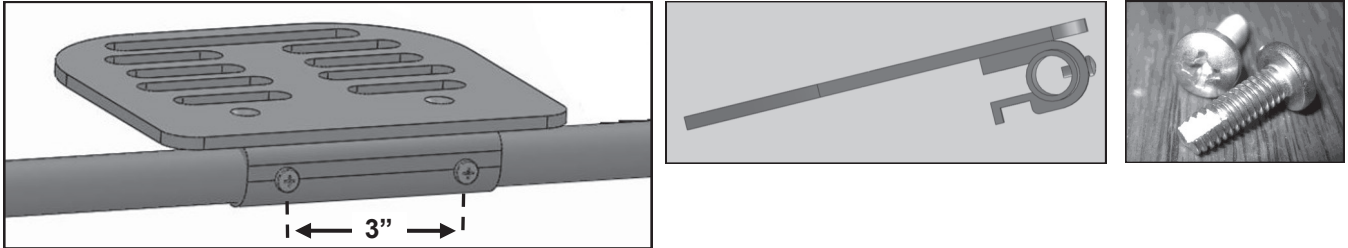
3. Before attaching the FreeWheel to your footrest, insert correct size Rear End into silver brick and **SLIGHTLY TIGHTEN** using a 3/16" or 5mm Allen wrench.
4. With the FreeWheel in the "tail dragger" position, clamp to your footrest by hooking the rear end first, then set down FreeWheel so the clamp is just in front of the footrest tube, press down on the handle.
5. Finish tightening the Rear End bolt with FreeWheel on your footrest, so the **Rear End just touches the back of the footrest tube/plate**. Do NOT over tighten. The strength of the front clamp is what holds the FreeWheel to your footrest.



Clamp Plate Footrests: Special “Pinning” Instructions

To make sure your CLAMP PLATE footrest does not rotate you will need to add 2 screws to lock the footrest plate to your tube.

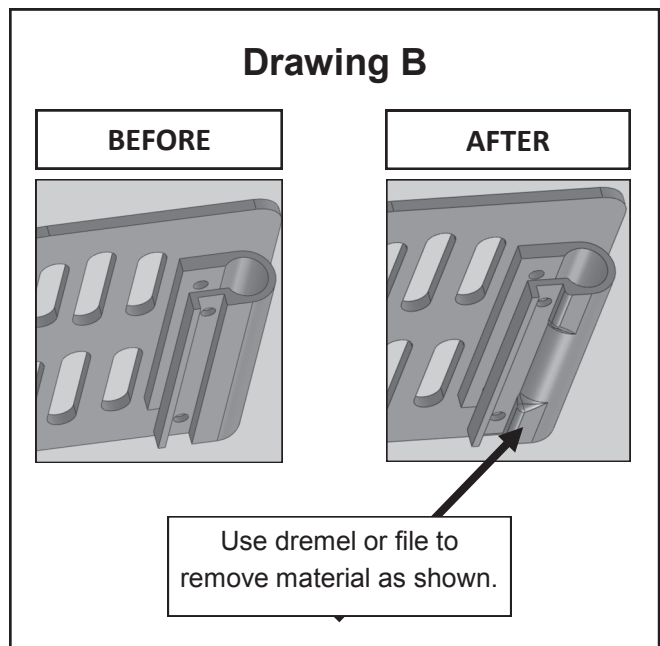
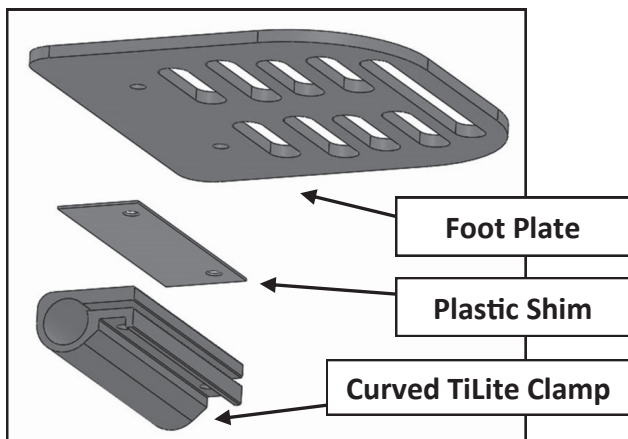
Use TWO #10-32 Self Tapper machine screws, centered, and 3” apart. Make a pilot hole with a 5/32” drill bit.



TiLite Angle-Adjustable Footrest ONLY: Special Instructions

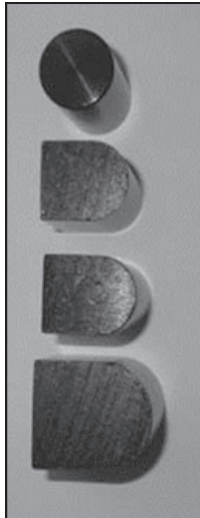
The TiLite Clamp, in some instances, has a square edge on the bottom vs. curved. You may ORDER a newer curved edge TiLite clamp from us that comes with a shim and screws for pinning your footrest. If you have a newer TiLite clamp you may order just the plastic shim directly from us.

Drawing B shows what your clamp should look like if you modified an old TiLite clamp yourself.



Perch Set-up Guide

To install the Storage Perch on the crossbar on the back of your chair, chose the perch post that matches your footrest set-up. Use a 3/16" or 5mm Allen wrench to change post type and to tighten perch on to your cross bar.

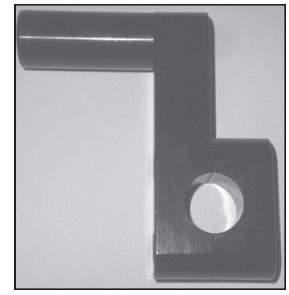


ROUND Perch Post — Tube only footrest, with THICKEST straight shim and the cup shim has NOT been removed.

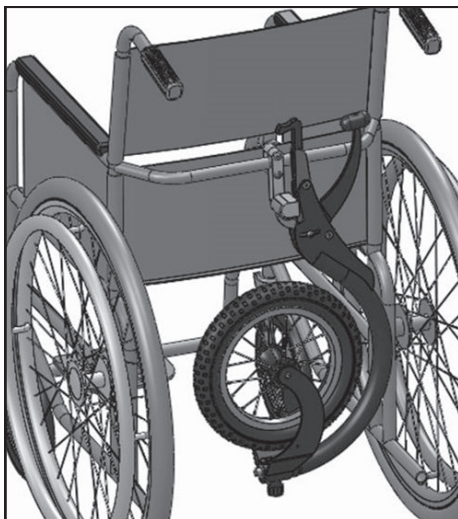
SMALL D Perch Post — Middle thickness straight shim and the cup shim has NOT been removed.

MIDDLE D-Perch Post — Thinnest straight shim and the cup shim has NOT been removed.

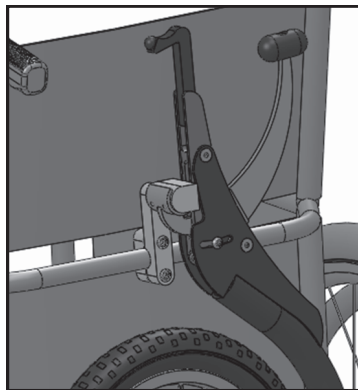
BIG D — NO straight shim and the cup shim has been REMOVED.



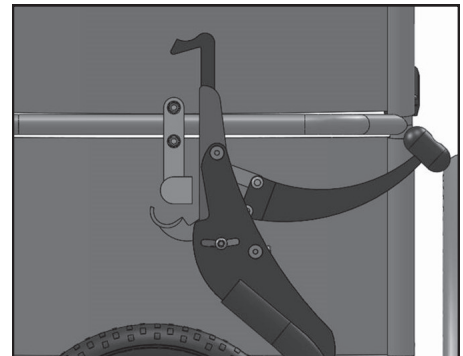
Perch



Low Cross Bar



High Cross Bar



With one hand cupping the clamp of the FreeWheel, hold the clamp to the perch while the other hand grips the handle and firmly close the clamp onto the perch. This takes a little practice.



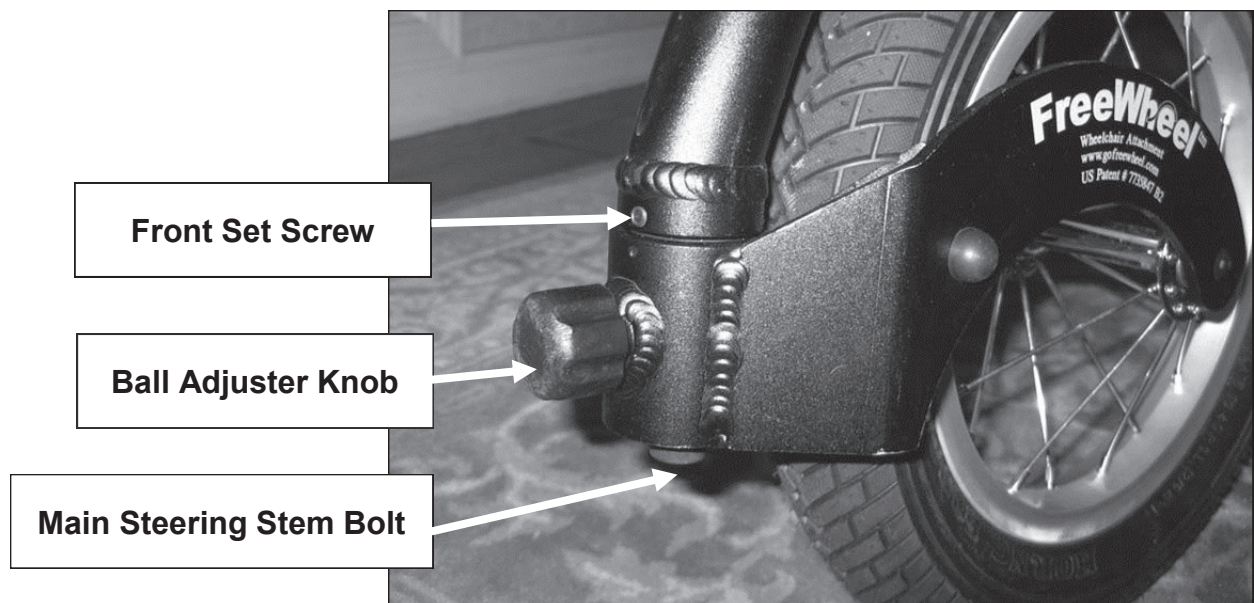
How to Adjust for Steering

If your Freewheel is not tracking straight when coasting forward on level ground, the steering should be adjusted. To do this you need to adjust two separate fasteners:

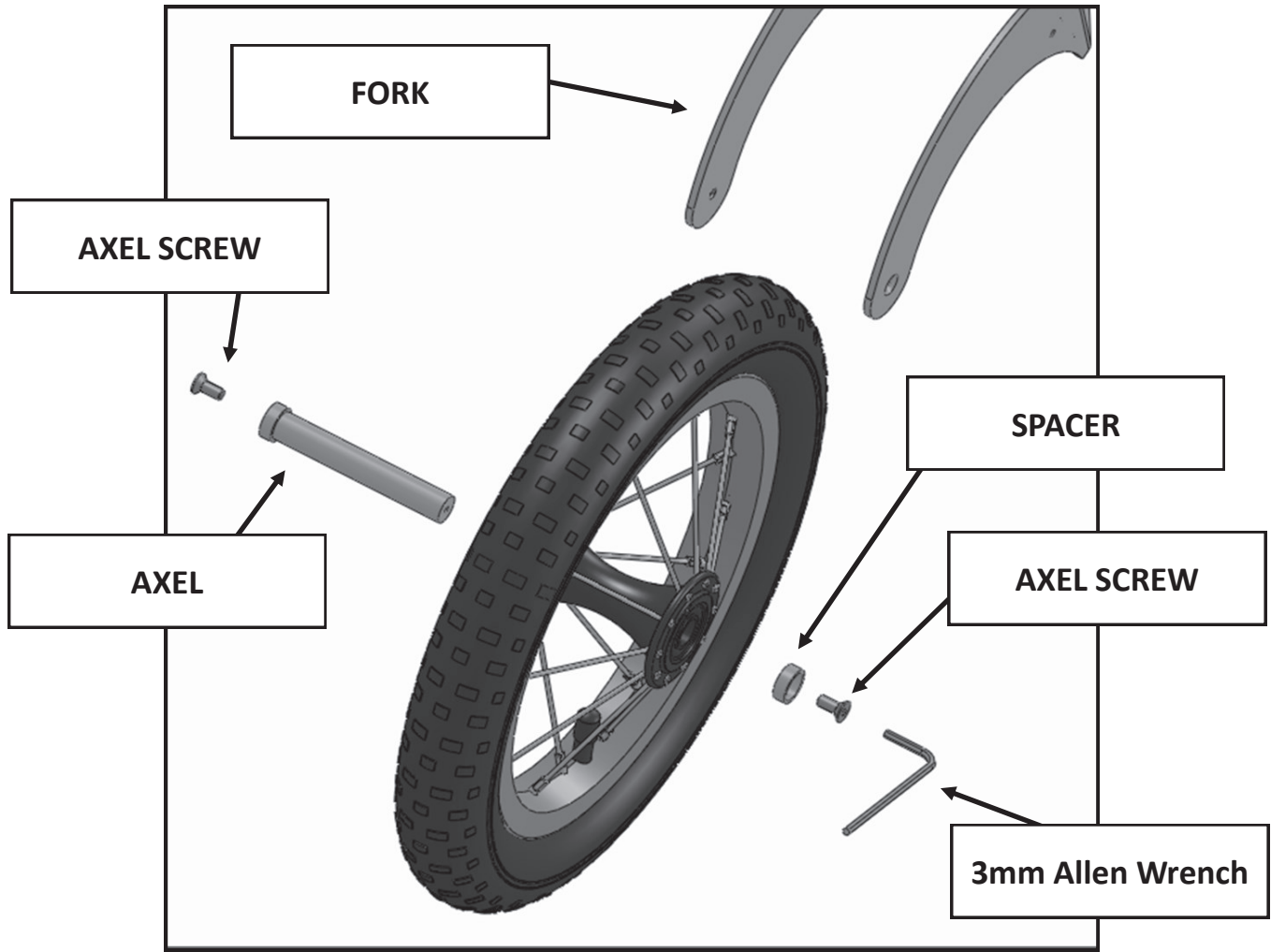
Front Set Screw, and; Main Steering Stem Bolt

1. The Front Set Screw secures the steering adjustment.
2. After loosening the Front Set Screw (2.5mm allen wrench) and Main Steering Stem Bolt (8mm allen wrench), rotate the fork to adjust the steering straight.
3. If the internal bushing is not rotating relative to the frame, then tighten the ball adjuster knob to lock the fork to the internal bushing. Work the bushing loose from the frame. Re-grease this joint, using bearing grease, to keep it from binding.
4. Set the steering and then tighten the Front Set Screw.
5. Finish by tightening the Main Steering Stem Bolt. It is IMPORTANT this bolt is very, very tight (20 ft. lb. torque).
6. Test for straightness by coasting on a flat/level surface.

Note: The front ball adjuster knob can be loosened for light steering action or screwed in (tightened) for heavier steering action.



Wheel Removal for Tire/Tube Change*



*If your HUB is silver, please refer to the Wheel Removal on our website under the FAQ's Tab at: www.gofreewheel.com.



Maintaining your FreeWheel

It is important to maintain your FreeWheel so it continues to provide you with years of enjoyment. It is a good habit after a long work out that you check the following:

1. Keep screws A, B and C tight using 5/32" or 4mm Allen wrench (shown on page 3), double checking both sides. Make sure the Angle Adjust bolt (page 3) is in contact with the silver barrel (adjust with 3/16" or 5 mm Allen wrench). You should NOT be able to see any of the Angle Adjust bolt threads
2. Make sure the main steering stem bolt is tight (see page 7). In some cases this bolt will loosen and the FreeWheel will not function properly. Using an 8mm Allen wrench tighten to 20 ft. lb. torque.
3. Please keep your Freewheel free of dirt, mud and grim, as well as immediately wash off any saltwater should you be near the ocean.
4. Occasionally you may want to put bearing grease on the ball bearing under the front knob (and under the spring).

Please do not hesitate to contact us if you have any issues. Our goal is to make sure your FreeWheel always functions properly.

For an additional information or if you have questions, please contact us at:

info@gofreewheel.com

Thank you for your purchase of the FreeWheel Wheelchair Attachment!





FreeWheel®

Thank you for choosing the FreeWheel Wheelchair Attachment. I am confident you will find it to be the one piece of adaptive equipment that you take everywhere you go.

When I was first injured in a motocross accident (resulted in a C6/7 spinal cord injury) I lay in the hospital wondering how I could be a Dad that actively participated in the lives of my young children.

After leaving the hospital I found my wheelchair more limiting than was acceptable. My front casters would catch on everything and either toss me out of my chair or force me to sit on the sidelines.

After years of testing and input from other wheelchair users, I am happy to now be able to provide the FreeWheel to you. It safely, and quickly lifts the front casters off the ground and I am now able to live a more independent active life. With the FreeWheel you will easily roll over curbs, down grassy or dirt slopes, and power through snowy parking lots. My FreeWheel goes every where I go and my dream of actively participating in the lives of my children is a reality.

Please feel free to send us your videos and pictures and let us know how the FreeWheel is working for you.

Sincerely,

Pat Dougherty

Patrick Dougherty, Owner/Inventor

PNT LLC

P.O. Box, 10135, 770 S. 13th St., Box 10135, Boise, ID 83707, USA

Web: www.gofreewheel.com/Email: info@gofreewheel.com



FreeWheel Warranty and Registration Card

The FreeWheel has a One Year Warranty and a Satisfaction Guarantee.
If you do not like your FreeWheel you may return it and receive a refund .
(excluding shipping charges)

You must register your FreeWheel to validate your warranty.
Your Serial Number is located on the inside of the FreeWheel fork.

**To register on-line go to www.gofreewheel.com
(in red bar at bottom of home page)**