

TiLite XSERIES Order Form

Effective June 30, 2017 (New Items in Red)

FOLDING FRAME

Page 1 of 6

DEALER INFORMATION		RTS INFORMATION	
Dealer:	Account #:	RTS:	Phone:
PO:	Ordered By:	Email:	
Email:		SHIP TO INFORMATION	
Mark For:		Name:	Ship Via:
TiLite Sales Rep:		Address:	
TiLite Information:	Promo Code:	City:	State: Zip:
Ship Date:	Order #:	Phone:	Fax:
Please Email or Fax to the TiLite Customer Service Team at orders@tilite.com or 866.586.2413 / 509.586.2413			

FRAME STYLE

- AXFS1 **Aero X2 Aluminum Frame** (Full Adjustability. 265 Pound Weight Limit.)..... **\$2,320** K0005
 G2FS1 **2GX2 Titanium Frame Upgrade** (Full Adjustability. 265 Pound Weight Limit. Light Weight, High Strength and Vibration Dampening.
 Not Available with Frame Transit Tie-Down.)..... **\$1,800**
 XFS1 **Swing Away** **STD** K0005
 XFS3 **Hemi Height Frame** (Available with a Front Seat Height of 13.5" - 20" (34-51cm). Not Available with Depth Adjustable
 Back/Frame, 12" or 13" Seat Depth or Heavy Duty Frame.) **NCO**
 XFS2 **Fixed Front** **NCO** K0005
 XHDR1 **Heavy Duty Frame (350 Pound Weight Limit. Includes Tension Adjustable by Straps Back Upholstery.**
 Available with 18" to 22" Seat Widths and 16" to 20" Seat Depths. Not Available with 90° front end)..... **\$420**
 XPWR1 **Power Adaptable Frame for Frank Mobility System** (No charge when 20" Rear Seat Width **A** and 20" Seat Depth **B**
 are selected. Requires LiteSpeed Billet Aluminum Front Wheels and 0 degree Camber. Not available with Single-Sided Forks)..... **\$330**
 XRFR1 **Reinforced Frame** (No charge when 20" Rear Seat Width and 20" Seat Depth are selected.) **\$330**

TRANSIT OPTIONS

(Please refer to the Aero X2 Transit Tie-Down Option Brochure for important information regarding the Transit Tie-Down Options.)

- XTTDO1 **Aluminum Frame Transit Tie-Down** (Consists of four Tie-Down Brackets. Not Available with 2GX2, Heavy Duty Frame, Hemi Height Frame,
 Swing Away Tubular Armrests or Swing Away- Flip Back Tubular Armrests. Requires a Folding Stabilizer
 Bar unless a Depth Adjustable Backrest is selected. Requires minimum seat depth of 14")..... **\$335**
 XWTB **Transport Bracket Option** (Consists of four Tie-Down Brackets. Unoccupied Use Only.) (Not Available when Swing Away frame and
 Heavy Duty Frame are both selected. Not available with Swing Away Tubular Armrest or Swing Away -Flip Back Tubular Armrests.
 Requires a minimum seat depth of 14" or 15" seat Depth with Hemi Height Frame.)..... **\$335**

FRAME FINISHES

Natural Finishes

- XFF1 **Satin** (Available with Titanium Frame only.)..... **STD**
 XSCBT1 **Satin Finish Buffing Pads**..... **\$15**
 XFF2 **Polished** (Available with Titanium Frame only.)..... **\$715**
 XFF3 **Tattoos** (Tattoos on front frame tubes. Titanium frame finished in Satin. Aluminum frame tattooed in blasted aluminum with clear coat.
 Click on the images below to view the Tattoos online.)..... **\$325**
 XFF31 **The King of Rock**



XFF33 **Snow Leopard**



XFF32 **Aloha**



XFF34 **Wood Grain**



- High Gloss Paint** XFF8 Super Wet Black XFF10 TiLite Red XFF29 Neon Pink
 XFF35 Burgundy
Metallic Paint XFF14 Ocean Blue Metallic XFF15 Tangerine Metallic XFF16 Salsa Red Metallic
 XFF30 Acid Green Metallic
Pearlescent Paint XFF17 Midnight Blue Pearl XFF18 White Pearl
Matte Paint XFF19 Black Lava XFF20 Deep Blue Ice XFF27 Titanium Grey
Candy Paint XFF22 Ruby Red XFF23 Azure Blue XFF25 Electric Plum..... **STD**

SEAT WIDTH **A** Measure from outside of seat tube at back post to the outside of the opposite seat tube at back post.

- XSW1 12" 13" 14" 15" 16" 17" 18" 19"..... **STD**
 XSW2 20" 21" 22" (21" and 22" Seat Widths **A** are only available with Heavy Duty Frame.)..... **\$480** E2201

SEAT DEPTH **B** Measure from 1/2" in front of back post to the front edge of seat sling. (12"-14" Seat Depths **B** not available with 25" (559) and 26" (560)

Rear Wheels.)

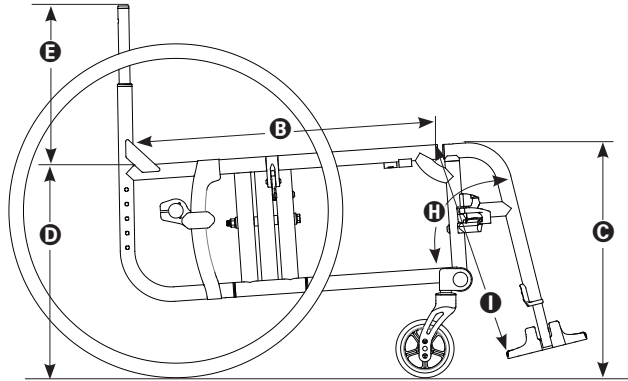
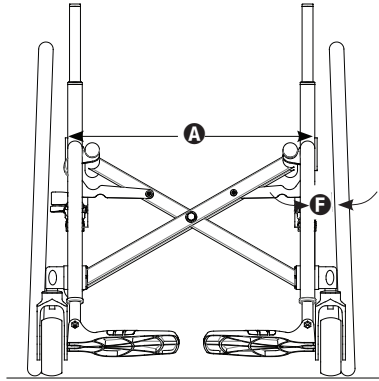
- XSD1 12" 13" 14" 15" 16" 17" 18" 19"..... **STD**
 XSD2 20"..... **\$505** E2203
 XSD3 **Custom Frame Depth:** _____ " Frame Depth Longer Than Seat Depth (Use 1" increments with a maximum of 2".
 A Custom Frame Depth with a maximum of 20" is \$475.)..... **NCO**



tilite.com
 2701 West Court Street | Pasco, Washington 99301
 509.586.6117 Tel | 800.545.2266 Toll-Free
 509.586.2413 Fax | 866.586.2413 Toll-Free Fax

TiLite XSERIES Order Form

FRAME MEASUREMENTS



FRONT SEAT HEIGHT C Measure from floor to top of seat tube at front edge of seat sling. Adjustable in 1/2" increments. (13.5" - 14" Front Seat Height C requires Hemi Height Frame Style. 20.5" - 21.5" Front Seat Height C not available with Hemi Height Frame Style.)

FRONT SEAT HEIGHT RANGES

Front Wheel Size	Front Seat Heights C	Hemi Front Seat Height C				
3" Front Wheel	14.5" - 18.5"	13.5" - 17.5"				
3" Front Wheel w/Glide™	16.5" - 17.5"	15" - 17.0"				
4" Front Wheel	15.5" - 19"	14.5" - 18.0"				
4" Front Wheel w/Glide™	17.0" - 18."	15.5" - 17"	XFSH1	<input type="checkbox"/> 13.5"	<input type="checkbox"/> 14"	<input type="checkbox"/> 14.5"
5" Front Wheel	16.5" - 19.5"	16" - 18.5"		<input type="checkbox"/> 15.5"	<input type="checkbox"/> 16"	<input type="checkbox"/> 16.5"
5" Front Wheel w/Glide™	17.5" - 18.5"	16.5" - 18.0"		<input type="checkbox"/> 17.5"	<input type="checkbox"/> 18"	<input type="checkbox"/> 18.5"
6" Front Wheel	17.5" - 20"	16.5" - 19.0"		<input type="checkbox"/> 19.5"	<input type="checkbox"/> 20"	<input type="checkbox"/> 20.5"
6" Front Wheel w/Glide™	19"	17.5" - 18"				<input type="checkbox"/> 21"
8" Front Wheel	19.5" - 21"	18.5" - 19.5"			STD

REAR SEAT HEIGHT D Measure from floor to top of seat tube at back post. Adjustable in 3/8" increments.

REAR SEAT HEIGHT RANGES

Rear Wheel Size	Rear Seat Height D				
22"	13" - 18"	XRSH1	<input type="checkbox"/> 13"	<input type="checkbox"/> 13.5"	<input type="checkbox"/> 14"
24"	14" - 19"		<input type="checkbox"/> 14.5"	<input type="checkbox"/> 15"	<input type="checkbox"/> 15.5"
25"	14" - 19"		<input type="checkbox"/> 16"	<input type="checkbox"/> 16.5"	<input type="checkbox"/> 17"
26"	15" - 20"		<input type="checkbox"/> 17.5"	<input type="checkbox"/> 18"	<input type="checkbox"/> 18.5"
			<input type="checkbox"/> 19"	<input type="checkbox"/> 19.5"	<input type="checkbox"/> 20".....STD

SEAT BACK HEIGHT B/SEAT BACK/PUSH HANDLES Measure from top of back post to top of seat tube at rear of frame.

SEAT BACK TYPE

- XSB13 Fixed Angle, Adjustable-Height Seat Back.....STD
- XLB1 Folding Stabilizer Bar (Required with Transit Tie-Down Option unless Depth Adjustable Backrest is selected. Includes Tension Adjustable by Strap Back Upholstery.).....\$375
- XSB14 Fixed Angle, Adjustable Height Seat Back w/8-Degree Bend. (Not available with Heavy Duty Frame.).....NCO
- XSB18 Folding Adjustable-Angle and Height Seat Back (Not available with Heavy Duty Frame or Ride Designs® Corbac™.).....\$220
- XSB16 Depth Adjustable Back/Frame (Not Available with Hemi Height Frame, Heavy Duty Frame, 19" or 20" Seat Depths B, Swing Away Tubular or Swing Away Flip-Back Armrest. Seat Depths B of 12"-17" allow 3" of rearward adjustment. Seat Depth B of 18" allow 2" of rearward adjustment. Requires Tension Adjustable Seat Upholstery).....NCO

PUSH HANDLES

- XSB6 Integrated Push Handles.....NCO
- XSB7 Integrated Fold-Down Push Handles (Requires Tension Adjustable by Straps Back Upholstery. Not available with Heavy Duty Frame.).....\$110
- XSB9 Bolt-On Height Adjustable Push Handles (Requires Tension Adjustable by Straps Back Upholstery. Not available with Heavy Duty Frame, Folding Adjustable-Angle and Height Seat Back, Swing Away Tubular Armrests, Swing Away - Flip Back Tubular Armrests or Ride Designs® Corbac™.).....\$325

XSB20/XSB14 **FIXED ANGLE ADJUSTABLE SEAT BACK HEIGHT B** (11"- 15" Fixed Seat Back Height not available with Heavy Duty Frame, Swing Away Tubular Arms 12"-15", Bolt-On Height Adjustable Push Handles or Folding Stabilizer Bar.)

Push Handles (Selected on Pg. 2)	Short	Tall	Set at: (Use 1" increments)
None	<input type="checkbox"/> 11"- 15"	<input type="checkbox"/> 16"- 20"	Set at: _____
Integrated	<input type="checkbox"/> 11"- 15"	<input type="checkbox"/> 17"- 19.5"	Set at: _____
Integrated Fold-Down	<input type="checkbox"/> 11"- 15"	<input type="checkbox"/> 16"- 20"	Set at: _____
Bolt-On Height Adj.	-----	<input type="checkbox"/> 16"- 20"	Set at: _____

XSB18 **FOLDING ADJUSTABLE- ANGLE AND HEIGHT SEAT BACK B** (Not available with a Folding Stabilizer Bar or Heavy Duty Frame)

Push Handles (Selected on Pg. 2)	Short	Medium	Tall	Set at: (Use 1/2" increments)
None	<input type="checkbox"/> 11"- 13"	<input type="checkbox"/> 13.5"- 16.5"	<input type="checkbox"/> 16.5"- 19.5"	Set at: _____
Integrated	<input type="checkbox"/> 12.5"- 14.5"	<input type="checkbox"/> 13.5"- 16.5"	<input type="checkbox"/> 17"- 19.5"	Set at: _____
Integrated Fold-Down	<input type="checkbox"/> 15"- 17"	<input type="checkbox"/> 16"- 19"	<input type="checkbox"/> 18.5"- 20.5"	Set at: _____

TiLite XSERIES Order Form

FRAME MEASUREMENTS

CAMBER **Ⓢ**

XCBR8 0° 2° 4° 6°.....STD

FRONT ANGLE **Ⓢ** Front Angle **Ⓢ** is measured from inside of front frame tube to top of bottom frame tube.

Swing Away Front End

XFA3 70° 80° 85° (Not available with 6" Front Wheels.) 90° (Requires aluminum footplate. Not available with Heavy Duty Frame, 5" or 6" Front Wheels.).....STD

XFA5 Elevating Leg Rest L **OR** R (When choosing a left or right Elevating Leg Rest, please select the opposite Front Angle (XFA3), above. Not available with 14" or narrower Seat Width **Ⓢ** or Neoprene Impact Guards.).....\$165 E0990

XFA7 Elevating Leg Rest Pair (Not available with Heavy Duty Frame, 14" or narrower Seat Width **Ⓢ** or Neoprene Impact Guards.).....\$325 E0990

XFA0 Omit Hangers.....NCO

Fixed Front End

XFA6 70° 80° 85° (85° Not available with 6" Front Wheels).....STD

SEAT TO FOOTREST **Ⓢ/FOOTRESTS** Measure from front edge of seat sling to top rear of footrest.

If your Front Angle **Ⓢ** is 70°, 80°, OR 85° select one Seat to Footrest **Ⓢ** length and one Footrest type:

Standard Footrests Measurement must be at least 2" shorter than Front Seat Height **Ⓢ**. 70° Fixed Front has a minimum seat to footrest of 14.5"

14" 14.5" 15" 15.5" 16" 16.5" 17" 17.5" 18" 18.5" 19" 19.5" 20"

XFTR5 Flip-up Footrest.....STD

XFTR6 1-Piece Flip-up Footrest - Pivot on L **OR** R (Not available with Heel Loops.).....\$165 K0045

XFTR7 1-Piece, Over-Center Folding Footrest (Fixed Front Only. Not available with Heel Loops.).....\$165 K0045

XFTR9 Depth Adjustable Flip-up Footrest.....\$105 K0045

XFTR10 Depth & Angle Adjustable Flip-up Footrest (Available for 15"- 20" Seat to Footrest **Ⓢ** only.).....\$260 K0040, K0045

XFTR11 Angle Adjustable Flip-up Footrest (Available for 15"- 20" Seat to Footrest **Ⓢ** only.).....\$165 K0040, K0045

High Mount Footrests (Not Available with Luggage Carriers, or Impact Guards.)

7" 7.5" 8" 8.5" 9" 9.5" 10" 10.5" 11" 11.5" 12" 12.5"

13" 13.5" 14" 14.5"

XFTR20 High Mount Flip-up.....\$180 K0037

XFTR15 Angle Adjustable High Mount Flip-up Footrest.....\$315 K0040, K0037

XFTR16 Depth & Angle Adjustable High Mount Flip-up Footrest.....\$360 K0040, K0037

Elevating Leg Rest

14" 15" 16" 17" 18" 19" 20" 21"

XFTR17 Depth Adjustable Flip-up Footrest.....STD

If your Front Angle **Ⓢ** is 90°, select one Seat to Footrest **Ⓢ** length and one Footrest type:

7" 8" 9" 10" 11" 12" 13"

XFTR5 Flip-up Footrest.....STD

XFTR9 Depth Adjustable Flip-up Footrest.....\$105 K0037

XFTR10 Depth & Angle Adjustable Flip-up Footrest.....\$260 K0040, K0037

XHLP1 Heel Loops (Not available with 13" or narrower Seat Width **Ⓢ** or 1-Piece Footrests.).....\$45 E0951

CUSTOM CONFIGURATION OPTIONS

FRONT WHEELS (See Front Seat Height Ranges Chart on Page 2 for Front Seat Height **Ⓢ** limitations.)

XFW24 3"x1.5" LiteSpeed Billet Aluminum Wheel w/Soft Roll Tire Silver Hub **OR** Black Hub.....\$180

XFW14 4"x.75" Plastic Wheel w/Poly Tire (Not available with Power Adaptable Frame, Heavy Duty Frame or Glide™ Single-Sided Suspension Fork.).....NCO

XFW3 4"x.75" Light-Up Micro-Caster (Not available with Power Adaptable Frame, Heavy Duty Frame or Glide™ Single-Sided Suspension Fork.).....\$75

XFW25 4"x.75" LiteSpeed Billet Aluminum Wheel w/Poly Tire Silver Hub **OR** Black Hub.....\$140

XFW26 4"x1.5" LiteSpeed Plastic Wheel w/Soft Roll Tire (Not available with Power Assist, Power Add-on System or Heavy Duty Frame.).....\$90

XFW27 4"x1.5" LiteSpeed Billet Aluminum Wheel w/Soft Roll Tire Silver Hub **OR** Black Hub.....\$190

XFW6 5"x1" Plastic Wheel w/Poly Tire (Not available with Power Adaptable Frame, Heavy Duty Frame or with 90° Front Angle **Ⓢ** or Glide™ Single-Sided Suspension Fork.).....NCO

XFW28 5"x1.5" LiteSpeed Plastic Wheel w/Soft Roll Tire (Not available with Power Adaptable Frame, Heavy Duty Frame or 90° Front Angle **Ⓢ**.).....\$90

XFW29 5"x.75" LiteSpeed Billet Aluminum Wheel w/Poly Tire Silver Hub **OR** Black Hub (Not available with 90° Front Angle **Ⓢ**.).....\$160

XFW30 5"x1.5" LiteSpeed Billet Aluminum Wheel w/Soft Roll Tire Silver Hub **OR** Black Hub (Not available with 90° Front Angle **Ⓢ**.).....\$205

XFW9 6"x1" Plastic Wheel w/Poly Tire (Not available with Power Adaptable Frame, Heavy Duty Frame or 85° or 90° Front Angle **Ⓢ** or Glide™ Single-Sided Suspension Fork.).....NCO

XFW34 6"x1" LiteSpeed Billet Aluminum Wheel w/Poly Tire Silver Hub **OR** Black Hub (Not available with 85° or 90° Front Angle **Ⓢ** or Glide™ Single-Sided Suspension Fork.).....\$180

XFW32 6"x1.5" LiteSpeed Plastic Wheel w/Soft Roll Tire (Not available with Power Adaptable Frame, Heavy Duty Frame, 85° or 90° Front Angle **Ⓢ**, or Glide™ Single-Sided Fork.).....\$95

XFW33 6"x1.5" LiteSpeed Billet Aluminum Wheel w/Soft Roll Tire Silver Hub **OR** Black Hub (Not available with 85° or 90° Front Angle **Ⓢ** or Glide™ Single-Sided Suspension Fork.).....\$215

X2FW16 8"x1" Plastic Wheel w/Poly Tire (Not available with Power Assist, Power Add-on, Heavy Duty Frame or Glide™ Single-Sided Available with 70° Front Angle **Ⓢ** only.).....(Not available with 12"-14" Seat Depths).....NCO

X2FW17 8"x1.25" Plastic Wheel w/Pneumatic Tire (Not available with Power Assist or Power Add-on, Heavy Duty Frame or Glide™ Single-Sided Suspension Fork. Available with 70° Front Angle **Ⓢ** only.).....(Not available with 12"-14" Seat Depths).....\$95

XGL1 Out-Front Glide™ Suspension Fork (Available in Black anodize only. Not available with 8" Front Wheels or Heavy Duty Frame).....\$470 E1015

Rider's Weight: 125 lbs. 125-180 lbs. 180-265 lbs.

TiLite XSERIES Order Form

CUSTOM CONFIGURATION OPTIONS

XGL2 Out-Front Glide™ Single-Sided Suspension Fork (Available in Black anodize only. Not available with 6" or 8" Front Wheels or Heavy Duty Frame.).....\$605 E1015
 Rider's Weight: 125 lbs. 125-180 lbs. 180-265 lbs.

STANDARD REAR WHEELS (See Rear Seat Height Ranges Chart on Page 2 for Rear Seat Height Ⓢ limitations.)

XRW14 TiLite SHADOW™.....STD
 22"(501)
 24"(540)
 25"(559) (Requires 15" minimum Seat Depth Ⓢ.)
 26"(590) (Requires 15" minimum Seat Depth Ⓢ.)

PERFORMANCE REAR WHEELS (See Rear Seat Height Ranges Chart on Page 2 for Rear Seat Height Ⓢ limitations.)

XRW7 Spinergy SPOX Black Red Yellow Blue White\$820
 22"(501) - Std. Hub
 24"(540) - Std. Hub
 25"(559) - Std. Hub (Requires 15" minimum Seat Depth Ⓢ.)
 26"(590) - Sport Hub (Requires 15" minimum Seat Depth Ⓢ. Not available with Quad Release Axles.)
 XRW8 Spinergy LX (Available with Heavy Duty Frame only when 0 or 2 degree camber is selected.) Black Red Yellow Blue
 White Go Green Bright Orange Flamingo Pink.....\$1,025
 22"(501) - Std. Hub
 24"(540) - Std. Hub
 25"(559) - Std. Hub (Requires 15" minimum Seat Depth Ⓢ.)
 26"(590) - Sport Hub (Requires 15" minimum Seat Depth Ⓢ. Not available with Quad Release Axles.)
 XRW16 Spinergy Carbon Blade (Not available with Heavy Duty Frame.).....\$1,435
 24"(540)
 25"(559) (Requires 15" minimum Seat Depth Ⓢ.)
 XRW17 X-Core Mag (Not available with Heavy Duty Frame, Short Tabs, Quad Release Axles, Spoke Guards or Omit Handrims Option. Requires Aluminum Silver Anodized Handrims.).....NCO
 22"(501)
 24"(540)

AXLES

XAXL1 Stainless Quick Release.....STD
 XAXL2 Titanium Quick Release.....\$245
 XAXL3 Quad Release (Not available with Mag or 26"(590) Spinergy Spox or Spinergy LX Rear Wheels.).....\$150

PNEUMATIC REAR TIRES

XRTR1 Treaded (Not available with 25"(559) Rear Wheels.).....STD
 XRTR2 Airless Inserts.....\$90 E2213
 XRTR3 25"(559) Primo Treaded (Standard with 25"(559) Rear Wheels.).....STD
 XRTR4 Primo.....NCO
 XRTR8 24"(540), 25"(559) and 26"(590) Schwalbe® Marathon Plus Evolution.....\$135
 XRTR9 24"(540) and 25"(559) Schwalbe® Slick Tires.....\$140
 XRTR24 24"(540) Kenda Kobra Knobby Tires.....\$80

SOLID REAR TIRES

XRTR22 22"(501), 24"(540) and 25"(559) Primo Express (Not available with Spinergy Carbon Blade Rear Wheels.)\$105
 XRTR23 24"(540) and 25"(559) Primo Active\$130

HANDRIMS

Handrims by OUT-FRONT®

XRIM1 Aluminum – Silver Anodized.....STD
 XRIM21 Aluminum – Black Anodized.....NCO
 XRIM12 Titanium – Satin Finish (Not available with 20"(451) or 22"(501) Rear Wheels, or 24"(540) Knobby tires.).....\$445
 The Natural-Fit® (Original, Larger Profile)
 XRIM14 Standard Grip (Not available with Short Tabs or Spinergy Carbon Blade Rear Wheels.).....\$370
 XRIM15 Super Grip (Not available with Short Tabs or Spinergy Carbon Blade Rear Wheels.).....\$415
 XRIM16 Without Thumb Grip.....\$345
 The Natural-Fit® LT (Reduced Weight, Smaller Profile)
 XRIM17 Standard Grip (Not available with Short Tabs or Spinergy Carbon Blade Rear Wheels.).....\$400
 XRIM18 Super Grip (Not available with Short Tabs or Spinergy Carbon Blade Rear Wheels.).....\$455
 XRIM19 Without Thumb Grip.....\$375
 XRIM10 The Surge (All-In-One Oval with Gription™ Strip, Larger Profile)\$385
 XRIM11 The Surge LT (All-In-One Oval with Gription™ Strip, Smaller Profile).....\$415
 XRIM20 Q-Grip (Exclusive High-Friction, Anti-Slip Coating)\$325

Additional Handrim Options

XRIM5 Plastic Coated – Black.....\$160
 XRIM6 Projections - 8 Vertical Projections (Not available with 22"(501), 26"(590), Carbon Blade Rear Wheels.).....\$355
 XRIM22 Omit Handrims.....NCO


Tab Length

XRIM7 Long Tabs.....STD
 XRIM8 Short Tabs (Not available with Mag Rear Wheels or The Natural-Fit® Handrims with Thumb Grip.).....\$20

TiLite XSERIES Order Form

CUSTOM CONFIGURATION OPTIONS

WHEEL LOCKS

Wheel Locks by OUT-FRONT®  (Composite wheel locks are not always compatible with 12"-13" Seat Depth. Uni-locks will be substituted at no charge.)

- XWLK7 Compact Composite Push to Lock.....**NCO**
- XWLK8 Compact Composite Pull to Lock**NCO**
- XWLK10 Extension Handles for Compact Composite Push/Pull to Lock.....**\$80** E0961
- XWLK9 Composite Scissor Lock (Not available on Aero X2 Swing Away.).....**\$140**

Additional Wheel Locks

- XWLK3 Uni-Lock Set At: Push **OR** Pull.....**\$160**
- XWLK4 Extension Handles for Uni-Lock.....**\$80** E0961

BACK UPHOLSTERY (Want more seating options? [Click here](#) to view the new TiLite Seating Order Form.)

- XBUP1 Padded Nylon (Black Only. Not available with Heavy Duty Frame, Folding Back, Folding Stabilizer Bar, Depth Adjustable Frame, Fold-Down Push Handles or Ultrasuede Backrest Stripe.).....**STD**
- Tension Adjustable by Straps (Included with Heavy Duty Frame. Required with Aluminum Fendered Side Guards and Fold-Down Push Handles.)
- XBUP3 Padded Nylon.....**\$330** E2611
- XBUP5 AIR Breathable Upholstery (Not available with Ultrasuede or NiteLite Backrest Stripe.).....**\$330** E2611
- XUPC3 Ultrasuede Backrest Stripe Black Sapphire Red Pepper Burnt Orange Ultraviolet NiteLite Reflective (Not available with Padded Nylon or AIR Breathable Back Upholstery.).....**\$100**
- XBUP0 Omit Back Upholstery.....**NCO**

SEAT UPHOLSTERY

- XSUP4 Tension Adjustable (Black only).....**STD**
- XSUP0 Omit Seat Upholstery.....**NCO**

SEAT CUSHION (Want more seating options? [Click here](#) to view the new TiLite Seating Order Form.)

- XCSH1 Foam Cushion 2" 3" 4".....**\$110**

SIDE GUARDS

- XSDG1 Cloth (Not available with Ride Designs® Corbac™ Back Support.).....**\$95**

Aluminum

- XSDG2 Rigid Removable Small **OR** Std.....**\$190**
- XSDG3 Quad Removable w/Hole Small **OR** Std.....**\$205**
- XSDG6 Fendered Adjustable (Requires Tension Adjustable by Straps Back Upholstery. Not available with Angle-Adjustable Fold-Down Seat Backs.).....**\$325**

Carbon Fiber

- XSDG7 Rigid Removable Small **OR** Std.....**\$300**
- XSDG8 Quad Removable w/Hole Small **OR** Std.....**\$310**
- XSDG11 Fendered Adjustable (Requires Tension Adjustable by Straps Back Upholstery. Not available with Angle-Adjustable Fold-Down Seat Backs.).....**\$545**

ARMRESTS (Desk Arms come with built-in Side Guards.)

- XARM1 Swing Away Tubular (Not available with Heavy Duty Frame, Folding Stabilizer Bar with Short or Medium Seat Back Height ranges or Depth Adjustable Back.).....**\$215** E0973
 - 9" - 12" **OR** 12" - 15"
- XARM4 Swing Away - Flip Back Tubular (Not available with Heavy Duty Frame, Folding Stabilizer Bar or Depth Adjustable Back.).....**\$305** E0973
- XARM2 Removable Height Adjustable Desk Arm with Rigid Side Guard (Requires 14" minimum Seat Depth **Ⓟ**.).....**\$325** E0973
 - 9" to 12" **OR** 12" to 15"
 - Standard Length Pad (10") **OR** Full Length Pad (14")
- XARM3 Removable Height Adjustable Desk Arm with Rigid Side Guard and Transfer Loop (Requires 16" minimum Seat Depth **Ⓟ**.).....**\$360** E0973
 - 9" to 12" **OR** 12" to 15"
 - Standard Length Pad (10") **OR** Full Length Pad (14")
- XARM8 2 Point Flip Back Desk Arm with Rigid Side Guard (Requires 15" minimum Seat Depth **Ⓟ**. Not Available with Heavy Duty, Transit Tie-Down, Transport Brackets, Bolt On Height-Adjustable Push Handles, Depth Adjustable Backrest or Black Ultrasuede Cover.).....**\$325** E0973
 - 9" to 12" **OR** 12" to 15"
 - Standard Length Pad (10") **OR** Full Length Pad (14")
- XARM9 2 Point Flip Back Desk Arm with Rigid Side Guard and Transfer Loop (Requires 15" minimum Seat Depth **Ⓟ**. Not Available with Heavy Duty, Transit Tie-Down, Transport Brackets, Bolt On Height-Adjustable Push Handles, Depth Adjustable Backrest or Black Ultrasuede Cover.).....**\$360** E0973
 - 9" to 12" **OR** 12" to 15"
 - Standard Length Pad (10") **OR** Full Length Pad (14")

Available Armrest Option

- XARM5 Covered in Black Ultrasuede (Not available with Desk Arms).....**\$105**

SEAT BELTS

- XBLT1 Velcro Adjustable, Black Nylon Webbing.....**\$50** E0978
- XBLT2 Bodypoint® 2" Push-Button Buckle (Auto-Style.).....**\$95** E0978
- XBLT4 Bodypoint® 1" Wide Push-Button Buckle Padded (Auto-Style.) (Not available with 19" - 22" Rear Seat Widths **Ⓐ**.).....**\$180** E0978
- XBLT5 Bodypoint® 1.5" Wide Push-Button Buckle Padded (Auto-Style.) (Not available with 19" - 22" Rear Seat Widths **Ⓐ**.).....**\$170** E0978
- XBL10 Bodypoint® Optional Band Clamp Mounting Hardware.....**\$20** K0108

TiLite XSERIES Order Form

CUSTOM CONFIGURATION OPTIONS

CALF STRAP

XCLF2 Velcro Adjustable.....	\$35	K0038
<input type="checkbox"/> Small (Recommended for 9"- 12" Footrest Widths)		
<input type="checkbox"/> Medium (Recommended for 11"- 15" Footrest Widths)		
<input type="checkbox"/> Large (Recommended for 14"- 17" Footrest Widths)		
<input type="checkbox"/> Xtra Large (Recommended for 16"- 19" Footrest Widths)		
XCLF3 Bodypoint® Padded Velcro Adjustable.....	\$100	K0038
<input type="checkbox"/> Medium (Recommended for 12"- 15" Footrest Widths)		
<input type="checkbox"/> Large (Recommended for 16"- 20" Footrest Widths)		
XCLF1 <input type="checkbox"/> Buckle Adjustable, Black Nylon Webbing.....	\$25	K0038

BACK PACK

XBCK3 <input type="checkbox"/> Black TiLite Back Pack.....	\$90	
--	------	--

SEAT POUCH

XPCH3 <input type="checkbox"/> Black TiLite Seat Pouch.....	\$55	
---	------	--

SPOKE GUARDS by SPOZEE.COM

XGRD1 <input type="checkbox"/> Clear with TiMotion Logo (Not available with Mag Rear Wheels.).....	\$130	K0065
--	-------	-------

ANTI-TIPS

XTIP1 <input type="checkbox"/> Rear Aluminum - Black.....	\$155	E0971
XTIP2 <input type="checkbox"/> User Friendly Flip-up.....	\$325	E0971
XTIP9 <input type="checkbox"/> Tip Assist	\$100	E0971

ACCESSORIES

XUEST1 Upper Extremity Support Tray <input type="checkbox"/> 12" to 14" OR <input type="checkbox"/> 13" to 15" Seat Widths A (Requires Armrests.).....	\$280	E0950
XLUG1 <input type="checkbox"/> Luggage Carriers (Not available with High Mount Swing Away Footrests or 1-Piece Flip-up Footrest.).....	\$140	
XGS1 <input type="checkbox"/> GRIP Solutions Lap Board.....	\$50	
XMPCT2 Neoprene Impact Guards with Ultrasuede Stripe (Not available with High Mount Footrests, 90° Hangers or Elevating Leg Rest.)		
<input type="checkbox"/> Black <input type="checkbox"/> Sapphire <input type="checkbox"/> Red Pepper <input type="checkbox"/> Burnt Orange <input type="checkbox"/> Ultraviolet <input type="checkbox"/> TiLite NiteLite Reflective.....	\$100	
XCH1 <input type="checkbox"/> Crutch Holder.....	\$215	
XAFP1 4" Logo Patch <input type="checkbox"/> Army <input type="checkbox"/> Navy <input type="checkbox"/> Air Force <input type="checkbox"/> Marines	\$100	

GENERAL

TiLite manufactures a wide variety of wheelchairs to meet the varied needs of wheelchair users. The final selection of a particular model, its options and accessories, and its measurements rests solely with the wheelchair user and advising healthcare professional. TiLite wheelchairs must be fitted by a qualified healthcare professional. HCPCS Codes are for reference purposes only. Actual coding and coverage varies by payer. Proper HCPCS coding is not a guarantee of payment. Please verify the appropriate payer's coverage policy.

Get the latest order forms at tilite.com. Prices, standard features, options and accessories are subject to change without notice. All rights reserved. Trademarks are identified by symbols™ and ®. TiLite, TiFit, the TiLite logo, Ti, the Ti logo, The Titanium Experts, and TiShaft are registered trademarks of TiSport, LLC and are licensed to TiLite, LLC. Adobe®, Acrobat®, Acrobat Professional® and Reader® are registered trademarks of Adobe Systems Inc. Bodypoint® is a registered trademark of Bodypoint Inc. Kenda® is a registered trademark of Kenda Rubber Industrial Co. Ltd. Ride Designs® and Corbac® are registered trademarks of Aspen Seating, LLC. ROHO®, Low Profile® and Quadro Select® are registered trademarks of ROHO Inc. Schwalbe® is a registered trademark of Ralf Bohle GmbH. Supracor®, Stimulite® and Corbee® are registered trademarks of Supracor, Inc. The Natural-Fit® and Out-Front® are registered trademarks of Three Rivers Holdings, LLC. Varilite® is a registered trademark of Cascade Designs, Inc.

QUOTE THIS CHAIR	If you are using Adobe Acrobat, this order form may be converted into a quote request or into an order by clicking one of the buttons (this feature is available exclusively to TiLite dealers and distributors). A TiLite Quote or a TiLite Order Confirmation will be sent to you within 24 hours.	ORDER THIS CHAIR
-------------------------	--	-------------------------